



# AC CURRENT TRANSDUCER TYPE: (STE-A-1T)



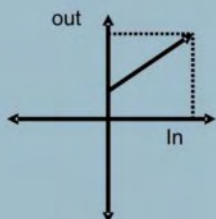
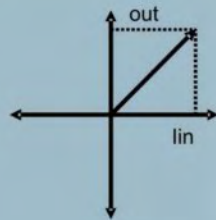
The Current transducer STE-A-1T converts a sinusoidal AC Current signal into an output signal that can serve several receiving instruments such as indicators, recorders, alarm units etc.

The input Current is scaled down using a Current transformer T. The output of the transformer is rectified and filtered in a precision absolute amplifier A, incorporating integrated circuits. The amplified filtered output is proportional to R.M.S value of the sine wave input. The output is fed to a current converter 'C' to provide a load independent D.C. Current.

## Features

- Available in accuracy class index 0.2, 0.3 & 0.5
- Withstands wide temperature variations.
- VA burden on CT very low. -  $< 0.5$  VA
- Wide range of Input / Output to meet National / International requirements.
- Comply to revised IEC 60688 (1997-10) standards.
- Flexibility in auxiliary power supply requirements - A.C. / D.C.
- Rugged and vibration resistant.
- Withstands seismic test as per IEC 344-1974 for Nuclear Power applications.
- Available in dust proof sheet plastic enclosures suitable for Back panel / Din rail mounting.
- Multiple outputs also available - upto 4.
- High input / Output isolations - 4.0 KV.

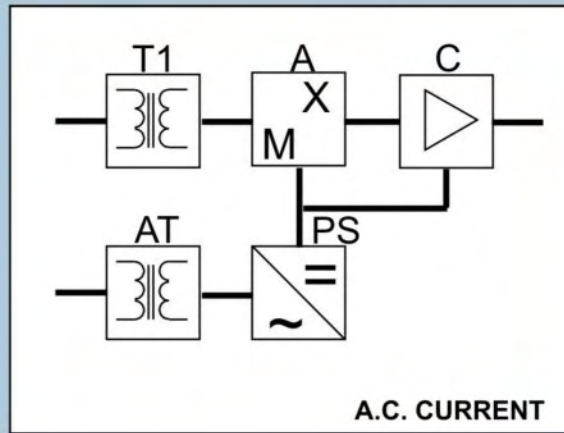
## Characteristics



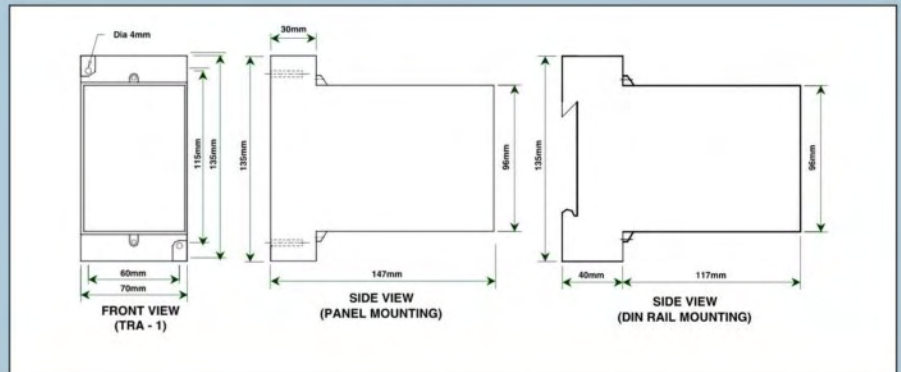
## Technical Data

- Measuring Range : 0-1 In
- Rated Input : 1 A / 5 A
- Input Frequency : 50, 60, 400, 2400Hz  
+/-10%
- Internal Consumption : < 0.5 VA for C.T.  
< 3VA for selfpowered
- Auxiliary Power Supply : 110 / 240 V AC  
24 / 48 / 110 / 220V DC  
Self Powered
- Nominal Output (Unipolar) : 0-2.5-5.0 mA DC  
0-5mA DC / 4-20mA DC  
0-10 mA DC  
0-5, 0-10 V. DC.
- Output Load
  - a) Current Output : Max 15V/Iout
  - b) Voltage Output : Min 1 K. Ohms
- Residual A.C. Ripple : < 1% (P-P)
- Overload Capacity
  - a) Continuous : 2.0 In
  - b) Momentary : 20 In for 1 sec.
- Accuracy Class : 0.2 / 0.3 / 0.5
- Response Time : <0.5 sec.
- Input - output Isolation : 4 KV
- Operating Temperature : 0 - 50°C
- Impulse Voltage Test : Confirms to IEC  
251- 5KV having  
waveform of 1.2/50  
microseconds.
- HF Interference : Confirms to IEC 255-4
- Environment Condition : User group II  
as per IEC 60688
- Configuration : 1-Phase
- Number of output : 1, 2, 3

## Block Diagram



## Dimensional Drawing



## Other Products

- Supervisory Remote Control & Data Acquisition Systems - Total turnkey.
- Remote terminal Units (RTU).
- Micro RTU.
- Microprocessor Based Equipments \_ MCB Monitors, Beetle Monitors, Temperature Scanner etc.
- Custom Built Electronic Equipments.
- Digital A.C. Ammeter.
- Digital A.C. Voltmeter.
- Digital Volt, Amp, & Watt Meter - class 0.5/0.2.
- Position Indicating Transducers.
- Static Energy Meters.
- Digital Flow Meters.
- Digital Power Monitor Cum Controllers.



## SETO TEKNOLOG PRIVATE LIMITED

EL-79, ELECTRONICS ZONE, TTC INDUSTRIAL AREA,  
 BLOCK-A, MIDC, MAHAPE, NAVI MUMBAI-400 710.  
 Phone : 91-22-2761 8631, 32, 33, 34 ♦ Fax : 91-22-2762 1223