



AC VOLTAGE TRANSDUCER TYPE: (STE-A-2T)



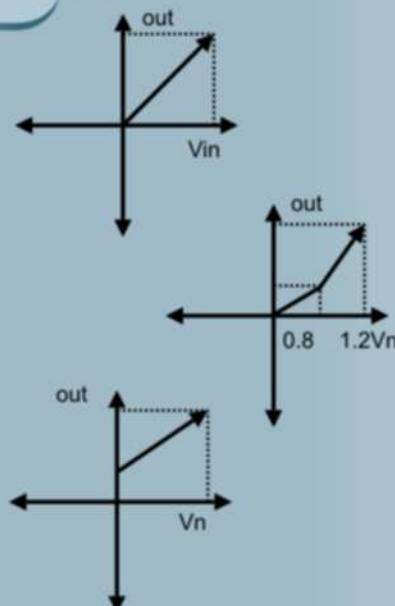
The Voltage transducer STE-A-2T converts a sinusoidal AC Voltage signal into an output signal that can serve several receiving instruments such as indicators, recorders, alarm units etc.

The input Voltage is scaled down using a Voltage transformer T. The output of the transformer is rectified and filtered in a precision absolute amplifier A, incorporating integrated circuits. The amplified filtered output is proportional to R.M.S value of the sine wave input. The output is fed to a current converter 'C' to provide a load independent D.C. Current.

Features

- Available in accuracy class index -0.2, 0.3, 0.5 & 1.0
- Withstands wide temperature variations.
- VA burden on PT very low. - < 0.5 VA
- Wide range of Input / Output to meet National / International requirements.
- Comply to revised IEC 60688 (1997-10) standards.
- Flexibility in auxiliary power supply requirements - A.C. / D.C.
- Rugged and vibration resistant.
- Withstands seismic test as per IEC 344-1974 for Nuclear Power applications.
- Available in dust proof sheet plastic enclosures suitable for Back panel / Din rail mounting.
- Multiple outputs also available - upto 4.
- High input / Output isolations - 4.0 KV.

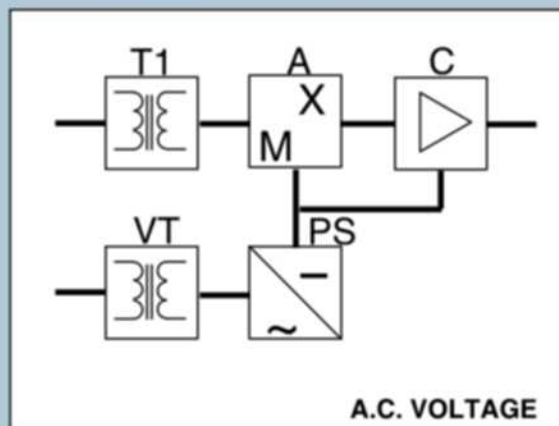
Characteristics



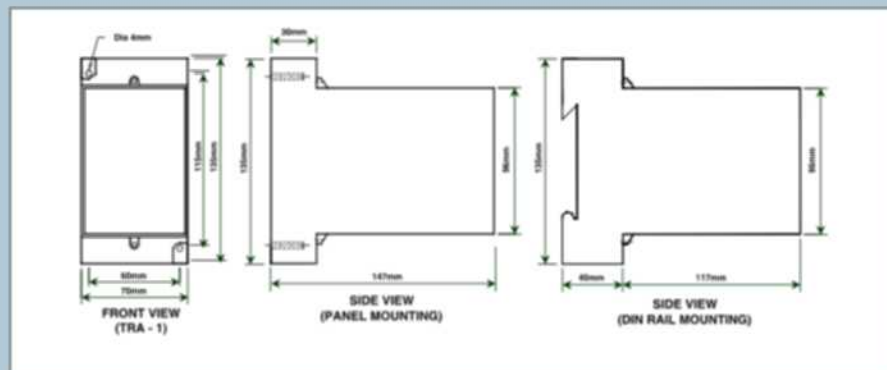
Technical Data

- Measuring Range : 0-0.8-1.2 Vn
- Rated Input : 110 / 415A
- Input Frequency : 50Hz +/- 10%
- Internal Consumption : < 0.5 VA for each input
< 3VA for selfpowered
- Auxiliary Power Supply : 110 / 240 V AC
24 / 48 / 110 / 220V DC
Self Powered
- Nominal Output (Unipolar) : 0-2.5 mA DC
0-5mA DC / 4-20mA DC
0-10 mA DC
0-5, 0-10 V. DC.
- Output Load
 - a) Current Output : Max 15V/Iout
 - b) Voltage Output : Min 1 K. Ohms
- Residual A.C. Ripple : < 1% (P-P)
- Overload Capacity
 - a) Continuous : 1.2 Vn
 - b) Momentary : 2.0 Vn for 1 sec.
- Accuracy Class : 0.2 / 0.5 / 1.0
- Response Time : <0.5 sec.
- Input - output Isolation : 4 KV
- Operating Temperature : 0 - 50°C
- Impulse Voltage Test : Confirms to IEC 251- 5KV having waveform of 1.2/50 microseconds.
- HF Interference : Confirms to IEC 255-4
- Environment Condition : User group II as per IEC 60688
- Configuration : 1-Phase
- Number of output : 1, 2, 3

Block Diagram



Dimensional Drawing



Other Products

- Supervisory Remote Control & Data Acquisition Systems - Total turnkey.
- Remote terminal Units (RTU).
- Micro RTU.
- Microprocessor Based Equipments _ MCB Monitors, Beetle Monitors, Temperature Scanner etc.
- Custom Built Electronic Equipments.
- Digital A.C. Ammeter.
- Digital A.C. Voltmeter.
- Digital Volt, Amp, & Watt Meter - class 0.5/0.2.
- Position Indicating Transducers.
- Static Energy Meters.
- Digital Flow Meters.
- Digital Power Monitor Cum Controllers.



SETO TEKNOLOG PRIVATE LIMITED

406, Hill View Industrial Estate, Amrut Nagar, Ghatkopar (W), Mumbai - 400 086. (INDIA)

Tel.: 91-22-2500 7272 / 5575 1888. Telefax : 91-22-2500 7497

E-mail : seto@vsnl.com , Website : www.seto.co.in, www.setoteknolog.com