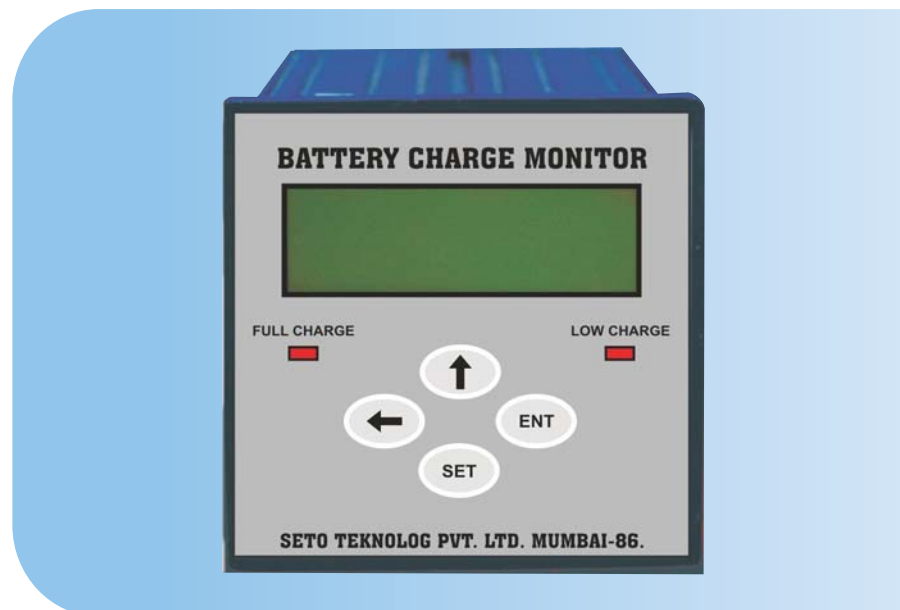


BATTERY CHARGE MONITOR

BCM-01 is a micro controller based unit, which is used for monitoring the charge level of stationary battery systems. This unit measures the voltage drop across a shunt through which the battery is connected to the charger and the load. The unit displays the charge remaining on the battery in terms of Ampere- Hour (AH) capacity as well as remaining time for which the battery can supply rated current. The unit incorporates precision analog and digital circuits and has the following features

Features

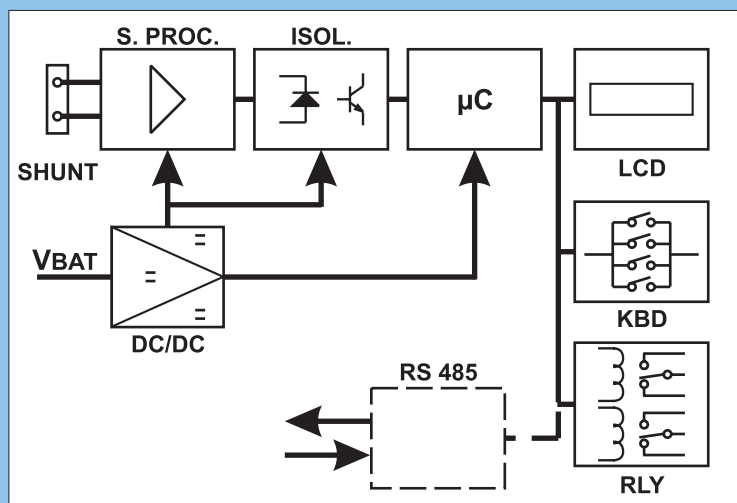
- **A settable low charge alarm**
- **Display of the charge on the battery as AH and Remaining time for complete discharge.**
- **Field Setting of the Rated battery capacity in AH.**
- **Field setting of the shunt rating.**
- **Remote Indication of fully charged Battery condition.**
- **Soft calibration – no trimpots.**
- **Optional- RS 485 Modbus link for PC connectivity.**
- **Optional Ethernet connectivity for networking.**
- **Operates directly from the battery being monitored.**
- **User friendly LCD display messages.**
- **Field setting of Battery efficiency.**



Technical Data

- **Input** : 0 – 100 mV dc bi-directional.
- **Display** : 16 x 2 Character backlit LCD.
- **Supply** : From the battery being monitored.
12 V, 24 V, 48 V, 110 V and
220 V DC +15/-25 %.
- **VA Rating** : 2 VA max
- **Settings**
 1. Shunt Voltage (10 mV to 100 mV in steps of 1 mV.)
 2. Shunt Current (1 to 9999 Amps in steps of 1 Amp).
 3. Battery Capacity (1 to 9999 AH in Steps of 1 AH).
 4. Battery Efficiency (1 to 99 % in steps of 1%).
 5. Low Alarm (1 to 9999 AH in steps of 1 AH).
 6. Trickle Current (0.1 to 999.9 Amps in steps of 0.1).
 7. Code (XXXX).
- **Indications**
 1. All Settings.
 2. Battery Capacity (AH).
 3. Time to Discharge at present load current.
 4. Present Current.
- **Protection** : Code Number to enable the Editing of settings.
- **Output** 2 Relays(230 V ac / 28 V dc.).
Full Charge And Low Charge.
- **Serial Links (Optional)** RS-485 communication link provided for
Serial (9600 baud) data communication with PC on
MODBUS Protocol.
- **Dimensions** 96 x 96 x 150 mm Front panel mounting
- **Panel cutout** 92 x 92 mm

Block Diagram



Other Products

- Supervisory Remote Control & Data Acquisition Systems - Total turnkey, including Communications..
- Remote terminal Units (RTU).
- Micro RTU
- Transducer for AC / DC Electrical Parameter
- Microprocessor Based Equipments _ MCB Monitors, Beetle Monitors, Temperature Scanner etc.
- Custom Built Electronic Equipments.
- Digital A.C. Ammeter.
- Digital A.C. Voltmeter.
- Digital Volt, Amp, & Watt Meter - class 0.5/0.2.
- Position Indicating Transducers.
- Static Energy Meters.
- Digital Flow Meters.
- Digital Power Monitor Cum Controllers.
- On-line Gas Analysers.

Order details (select the option from below)

TYPE NO.	CURRENT BI-DIRECTIONAL	RELAY OUTPUT	RS-485
BCM-01	✓	✓	✓
BCM-02	✓	✓	✗
BCM-03	✓	✗	✓
BCM-04	✓	✗	✗



SETO TEKNOLOG PVT. LTD.

106/406, Hill View Industrial Estate, Amrut Nagar, Ghatkopar (W), Mumbai - 400 086. (INDIA)

Phone : 91-22-2500 7385 / 2500 7272 Fax : 91-22-2500 7497

email : seto@vsnl.com Website : www.seto.co.in