



DC ISOLATOR TRANSDUCER (STE - SL - 2T)



In measuring and control circuit where a direct connection of current carrying circuit is not possible, a galvanic separation is necessary to have an interference-free operation. This transducer converts input DC voltage or current into proportional load independent DC current or voltage at output with galvanic isolation between input and output.

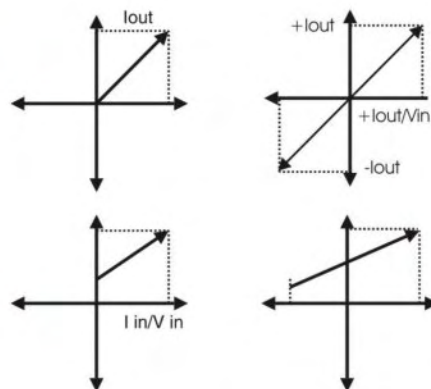
This transducer is used mainly as an amplifying and isolating element in telemetering, computer and control systems.

The input signal is buffered / amplified / summated (as per the requirement) by a precision operational Amp. This signal is fed to a chopper circuit, which drives an isolating transformer. The output of the transformer is synchronously rectified and filtered. The filtered output is fed to a buffer driver which can be factory set to provide various, types of load independent output proportional to the input. The input and output circuits are powered by an isolated supply derived DC / DC power converter.

Features

- Available in accuracy class index - 0.1, 0.2, & 0.5
- Withstands wide temperature variations.
- Low internal consumption
- Wide range of Input / Output to meet National / International requirements.
- Rugged and vibration resistant.
- Available in dust proof sheet plastic enclosures suitable for Din rail mounting.
- High input / Output isolations - 1.5 KV.

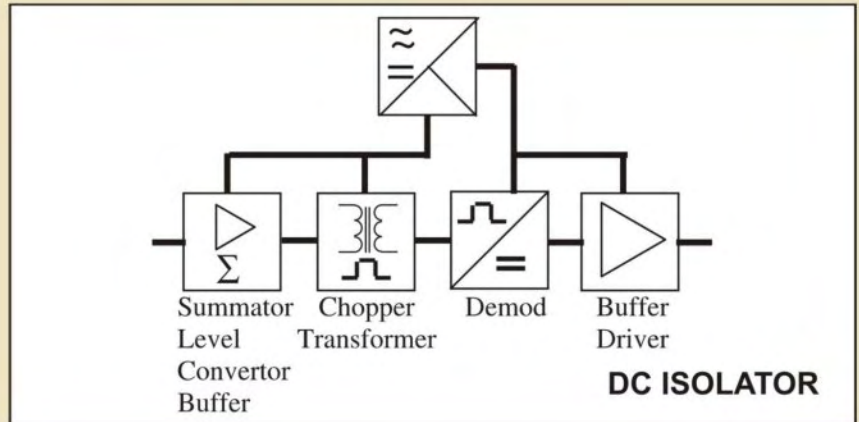
Characteristics



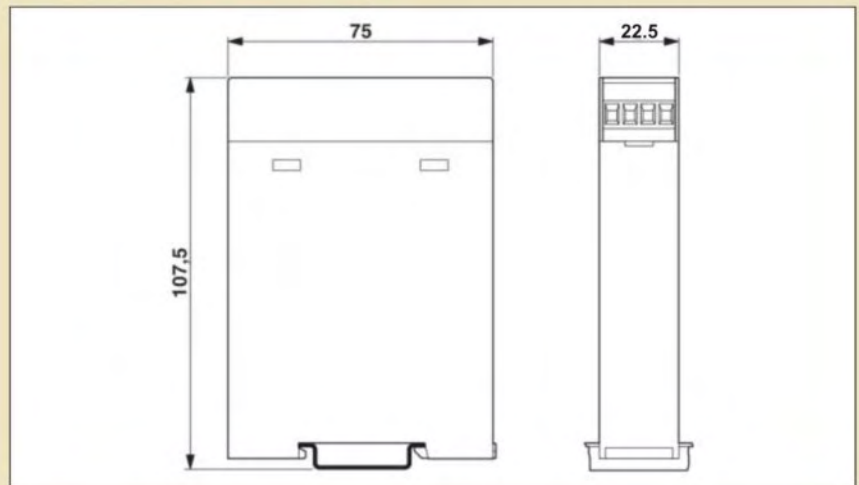
Technical Data

- Measuring Range : 0 - 1.2 In (or Vn)
- Rated Input : 1/2.5/5/10/20/4-20 mA
60 mV to 600 V DC
- Internal Consumption : < 0.1 mA for 0-10 V DC
< 0.1mA for 10-500 V DC
< 0.5 V for current input
- Auxiliary Power Supply : 12/24/48V DC
85 - 270V AC
- Nominal Output : 0-5/10 mA DC
(Unipolar/Bipolar) 4-20mA DC
0-10 V DC
- Load Range (Ohms)
 - a) Current Output : Max 10V/Iout
 - b) Voltage Output : Min 1000 Ohms
- Residual A.C. Ripple : < 0.5% (P-P)
- Overload Capacity
 - a) Continuous : 2.0 In / 1.2 Vn
- Accuracy Class : 0.1 / 0.2 / 0.5
- Response Time : < 0.1 sec.
- Input - output Isolation : 1.5 KV
- Operating Temperature : 0 - 55°C
- Number of output : 1

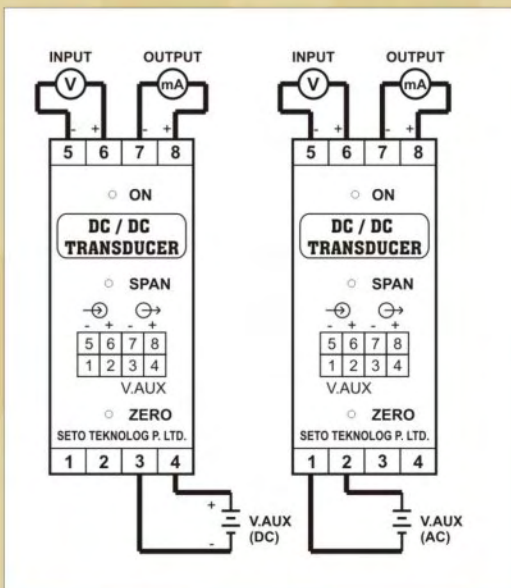
Block Diagram



Dimensional Drawing



CONNECTION DRAWING



Other Products

- Supervisory Remote Control & Data Acquisition Systems - Total turnkey.
- Remote terminal Units (RTU).
- Micro RTU.
- Microprocessor Based Equipments _ MCB Monitors, Beetle Monitors, Temperature Scanner etc.
- Custom Built Electronic Equipments.
- Digital A.C. Ammeter.
- Digital A.C. Voltmeter.
- Digital Volt, Amp, & Watt Meter - class 0.5/0.2.
- Position Indicating Transducers.
- Static Energy Meters.
- Digital Flow Meters.
- Digital Power Monitor Cum Controllers.



SETO TEKNOLOG PRIVATE LIMITED

EL-79, ELECTRONICS ZONE, TTC INDUSTRIAL AREA,
BLOCK-A, MIDC, MAHAPE, NAVI MUMBAI-400 710.

Phone : 91-22-2761 8631, 32, 33, 34 ♦ Fax : 91-22-2762 1223