



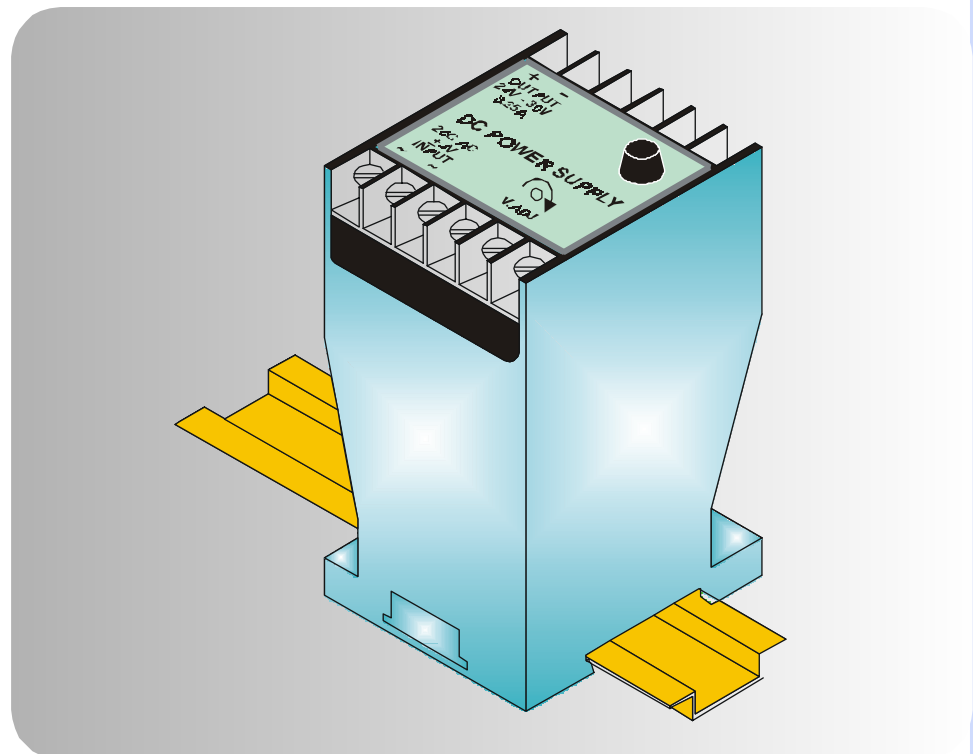
## DC POWER SUPPLY

TYPE : AC/DC 24V / 24 – 0.25

The power supply converts an A.C. supply to a stable D.C. Power source which can be used to power various field instruments such as Pressure Sensors, Temperature Transmitter, Loop Powered, Panel Meters, etc. The A.C. supply is rectified and filtered to a smooth primary D.C. voltage. A PWM circuit based on this primary D.C. voltage drives a transformer at high frequency. The secondary voltage of transformer is rectified and filtered. An isolated feed back circuit ensure regulation of the output voltage as well as short circuit protection. The output is field adjustable.

### FEATURES

- Accurate regulation – 1%
- Withstands wide temperature variations
- High efficiency > 60%
- Rugged and vibration resistant.
- Available in dust proof sheet plastic enclosures suitable for back panel / Din rail mounting.
- High input / output isolations – 1.0 KV.
- Field adjustable output.
- Input Fuse for Protection



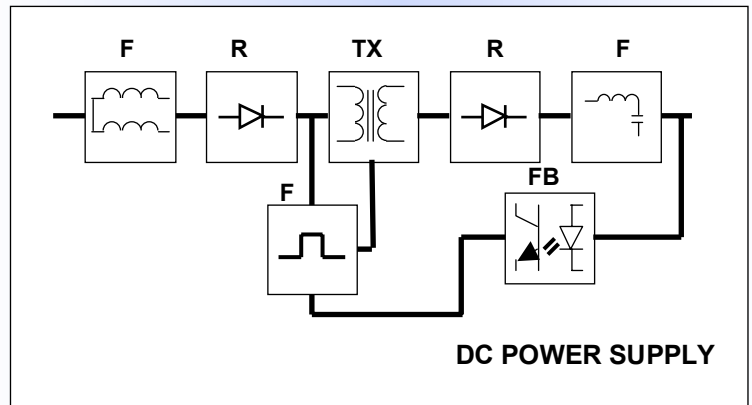
## TECHNICAL DATA

• Input	: 24V AC
• Input Range	: 21V – 27V AC
• Input Frequency	: 50Hz / 60Hz $\pm$ 10%
• Input VA	: 15 VA max
• Output	: 27V Nominal
• Output Range	: 24V to 30V DC
• Output Load	: 0.25 Amp max
• Overload Capacity	: 110%
• Load Regulation	: $\pm$ 1.0%
• Line Regulation	: $\pm$ 1.0%
• Output Ripple	: 100mv Peak to Peak
• Input/Output Isolation	: 1KV AC
• Operating Temperature	: 0 – 50°C

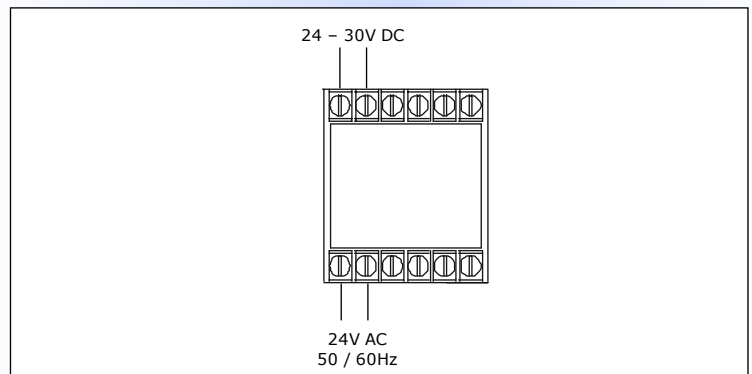
## OTHER PRODUCTS

- Supervisory Remote Control & Data
- Acquisition Systems – Total turnkey
- Remote terminal Units (RTU).
- Micro RTU
- Microprocessor Based Equipments – MCB Monitors, Beetle Monitors, Temperature Scanner etc.
- Custom Built Electronic Equipments.
- Digital A.C. Ammeter
- Digital A.C. Voltmeter
- Digital Volt, Amp, & Watt Meter – class 0.5 / 0.2
- Position Indicating Transducers.
- Static Energy Meters.
- Digital Flow Meters.
- Digital Power Monitor Cum Controllers.

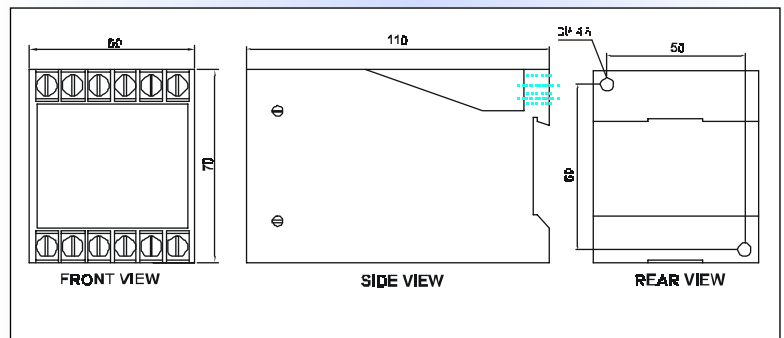
## BLOCK DIAGRAM



## CONNECTION DRAWING



## DIMENSIONAL DRAWING



## SETO TEKNOLOG PRIVATE LIMITED.

101/406, Hill View Ind. Estate, Ghatkopar, Mumbai 400 086  
 Tel.: 91-22-2500 7385 / 2500 7272 ♦ Fax. 91-22-2500 7497  
 email : seto@vsnl.com ♦ Web site : www.seto.co.in