

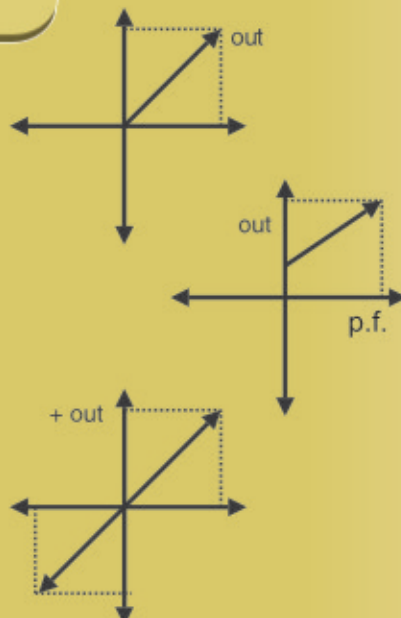
DIFFERENTIAL PHASE ANGLE TRANSDUCER TYPE : STE-A-14T

The STE-A-14T transducer converts the phase angle between 2 voltages of a single phase or 3 phase balanced network into an output signal that can serve several receiving instruments such as indicators, recorders, alarm units etc. The transducers is useful for providing synchronising signal by connecting one input to bus voltage and 2nd input to the generator voltage.

Features

- Available in accuracy class index - 0.5, & 1.0
- Withstands wide temperature variations.
- VA burden on PT very low. - < 0.5 VA
- Wide range of Input / Output to meet National / International requirements.
- Comply to revised IEC 60688 1997-10 standards.
- Flexibility in auxiliary power supply requirements - A.C. / D.C.
- Rugged and vibration resistant.
- Withstands seismic test as per IEC 344-1974 for Nuclear Power applications.
- Available in dust proof sheet plastic enclosures suitable for Back panel / Din rail mounting.
- Multiple outputs also available - up to 4
- High input / Output isolations - 4.0 KV.

Characteristics



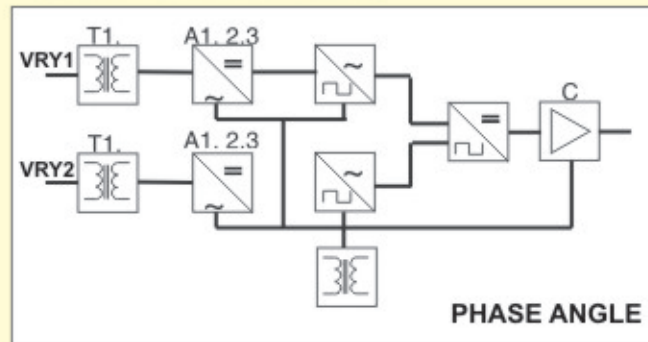
Technical Data

- Measuring Range : **-180° Lag - 0 - +180° Lead**
- Rated Input : 110/415V AC, 1/5A AC
- Input Frequency : 50Hz +/- 10%
- Internal Consumption : <0.5 VA for each input
<4VA for voltage if self powered
- Auxiliary Power Supply : 110 / 240 V AC
12 / 24 / 48 / 110/220V DC
Self Powered
- Nominal Output (Unipolar/Bipolar) : 0-2.5-5.0 mA DC
0-5mA DC / 4-20mA
10-0-10 mA DC
- Output Load
 - a) Current Output : Max 15V/Iout
 - b) Voltage Output : Min 1K Ohms
- Residual A.C. Ripple : < 1% (P-P)
- Overload Capacity
 - a) Continuous : 1.2 Vn, 2.0 In
 - b) Momentary : 2.0 Vn for 1 sec.
20 In for 1 sec.
- Accuracy Class : 0.5 / 1.0
- Response Time : <0.5 sec.
- Input - output Isolation : 4 KV
- Operating Temperature : 0 - 50°C
- Impulse Voltage Test : Confirms to IEC 251- 5KV having waveform of 1.2/50 microseconds.
- HF Interference : Confirms to IEC 255-4
- Environment Condition : User group II as per IEC 60688
- Configuration : 3-Phase/3-wire,
3-Phase/4-wire
- Number of output : 1, 2, 3

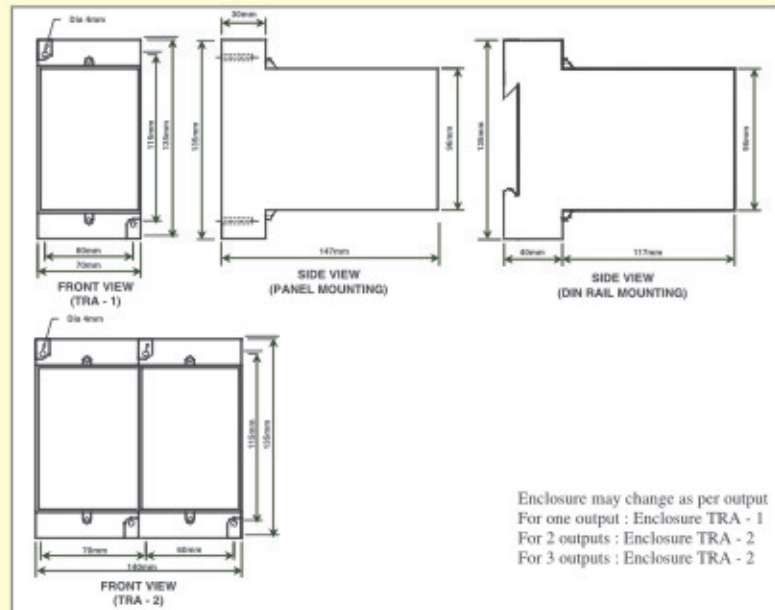
NOTE :

- 1) THE OPERATING INPUT RANGE IS FROM +20% TO + 120%.
- 2) IF THE FREQUENCY OF THE INPUTS IS NOT THE SAME THE OUTPUT WOULD KEEP VARYING.

Block Diagram



Dimensional Drawing



Other Products

- Supervisory Remote Control & Data Acquisition Systems - Total turnkey.
- Remote terminal Units (RTU).
- Micro RTU.
- Microprocessor Based Equipments _ MCB Monitors, Beetle Monitors, Temperature Scanner etc.
- Custom Built Electronic Equipments.
- Digital A.C. Ammeter.
- Digital A.C. Voltmeter.
- Digital Volt, Amp, & Watt Meter - class 0.5/0.2.
- Position Indicating Transducers.
- Static Energy Meters.
- Digital Flow Meters.
- Digital Power Monitor Cum Controllers.



SETO TEKNOLOG PRIVATE LIMITED

406, Hill View Industrial Estate, Amrut Nagar, Ghatkopar (W), Mumbai - 400 086. (INDIA)
Tel.: 91-22-2500 7272 / 5575 1888. Telefax : 91-22-2500 7497
E-mail : seto@vsnl.com , Website : www.seto.co.in, www.setoteknolog.com