

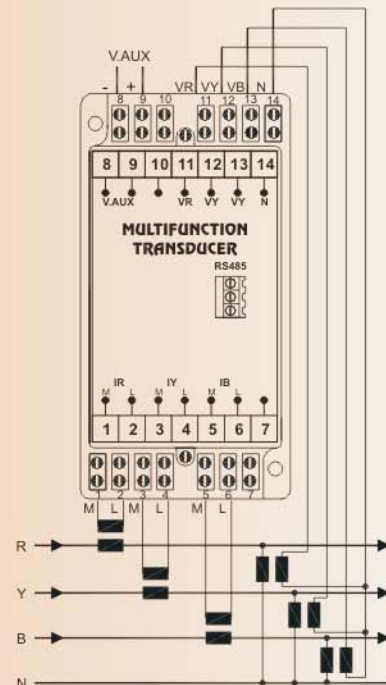
## MULTIFUNCTION TRANSDUCER

The Multifunction Transducer is designed to integrate the complete electrical parameter monitoring into a computerised utility monitoring system. This transducer provides all the electrical parameters on a serial port. The transducer can be used in Energy Management System.

### Features

- ✍ DSP based designed
- ✍ Software being upgradeable
- ✍ Programmable CT Ratio
- ✍ Programmable PT Ratio
- ✍ Open source Communication Protocol.
- ✍ Wide range of current and voltage input.
- ✍ Wide range of auxiliary supply.
- ✍ Compliance to IEC 60688 IS 12784

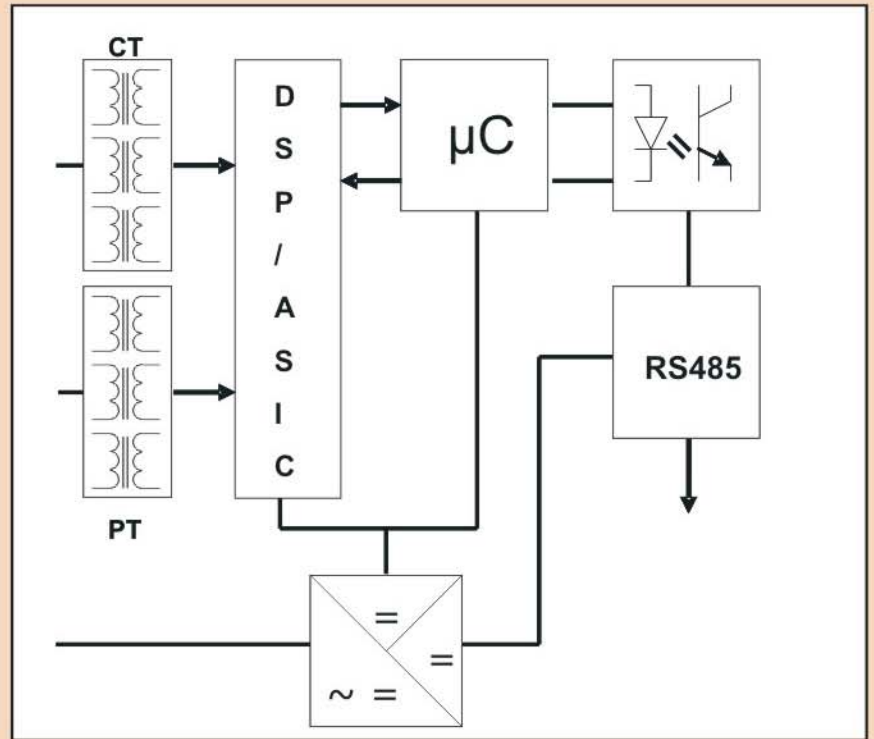
### CONNECTION



## Technical Data

◆ Input	: 3 Ø, 4 Wire / 3Ø, 3 Wire 1 Ø, 2 Wire
◆ Voltage	: 0-150V AC / 0-300V AC Phase to neutral 0-300V AC / 0-600V AC Line to Line
◆ Current	: 0 – 5 Amp.
◆ Measurements	: Vrms, Irms ( Individual phase and average ) Active Power, Reactive Power, Frequency, Power Factor,
◆ Accuracy	: class 0.5 for all Parameters
◆ Aux. Supply	: 24V/48V/110V/220V DC or 110V/220V AC. ( ±15% )
◆ Communication	: RS485, Modbus Protocol Address settable on the unit.
◆ Settings	: CTR / PTR settable through serial port

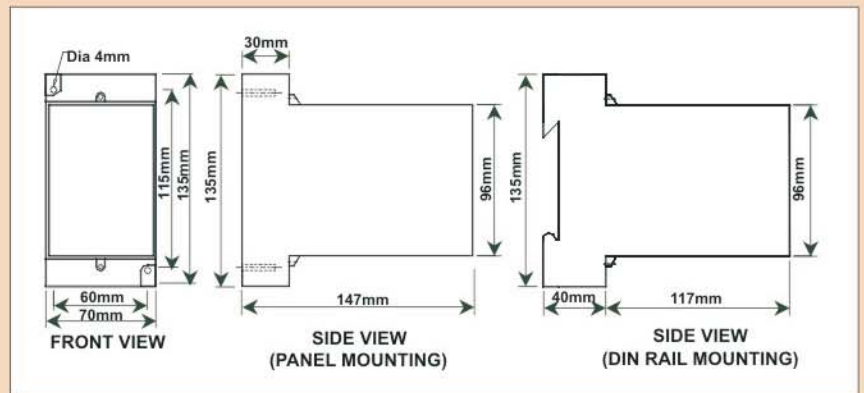
## Block Diagram



## Other Products

- Supervisory Remote Control & Data Acquisition Systems - Total turnkey.
- Remote terminal Units (RTU).
- Micro RTU.
- Microprocessor Based Equipments \_  
MCB Monitors, Beetle Monitors,  
Temperature Scanner etc.
- Custom Built Electronic Equipments.
- Digital A.C. Ammeter.
- Digital A.C. Voltmeter.
- Digital Volt, Amp, & Watt Meter -  
class 0.5/0.2.
- Position Indicating Transducers.
- Static Energy Meters.
- Digital Flow Meters.
- Digital Power Monitor Cum Controllers.

## Dimensional Drawing



## SETO TEKNOLOG PRIVATE LIMITED

406, Hill View Industrial Estate, Amrut Nagar, Ghatkopar (W), Mumbai - 400 086. (INDIA)

Tel.: 91-22-2500 7272 . Telefax : 91-22-2500 7497

E-mail : seto@vsnl.com , Website : www.seto.co.in