

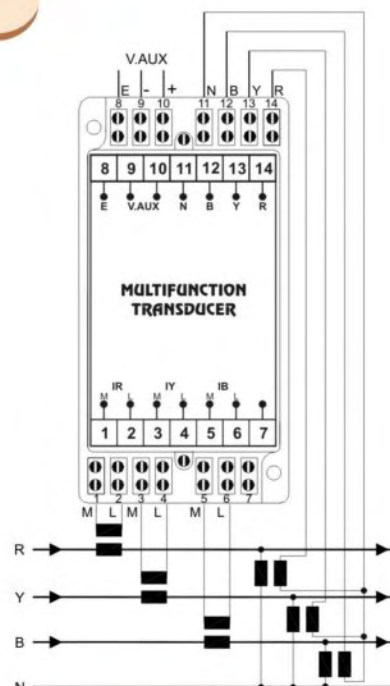
MULTIFUNCTION TRANSDUCER

The Multifunction Transducer is designed to integrate the complete electrical parameter monitoring into a computerised utility monitoring system. This transducer provides all the electrical parameters on a serial port. The transducer can be used in Energy Management System.

Features

- ★ DSP based designed
- ★ Software being upgradeable
- ★ Programmable CT Ratio
- ★ Programmable PT Ratio
- ★ Open source Communication Protocol.
- ★ Wide range of current and voltage input.
- ★ Wide range of auxiliary supply.
- ★ Compliance to IEC 60688 IS 12784

CONNECTION



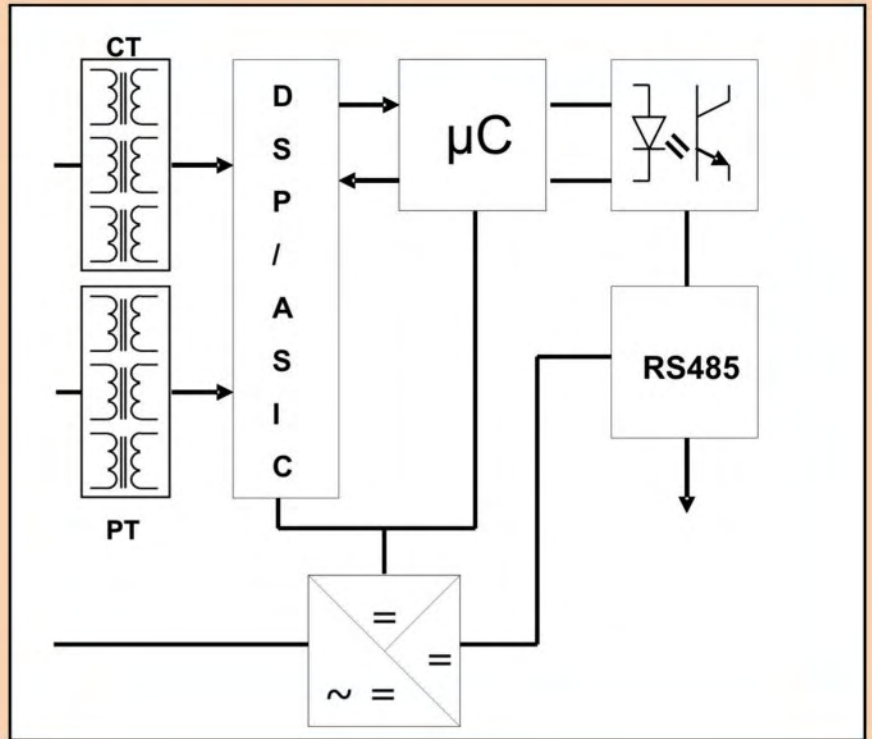
TESTED
AT
ERTL MUMBAI



Technical Data

Input	: 3 Ø, 4 Wire / 3Ø, 3 Wire 1 Ø, 2 Wire
Voltage	: 0-150V AC / 0-300V AC Phase to neutral 0-300V AC / 0-600V AC Line to Line
Current	: 0 – 5 Amp.
Measurements	: Vrms, Irms (Individual phase and average) Active Power, Reactive Power, Frequency, Power Factor, Import & Export Energy (Active & Reactive)
Accuracy	: class 0.5 for all Parameters Except class 0.1 for Frequency
Aux. Supply	: 24V/48V/110V/220V DC or 110V/220V AC. ($\pm 15\%$)
Communication	: RS485, Modbus Protocol Address settable on the unit.
Settings	: CTR / PTR settable through serial port

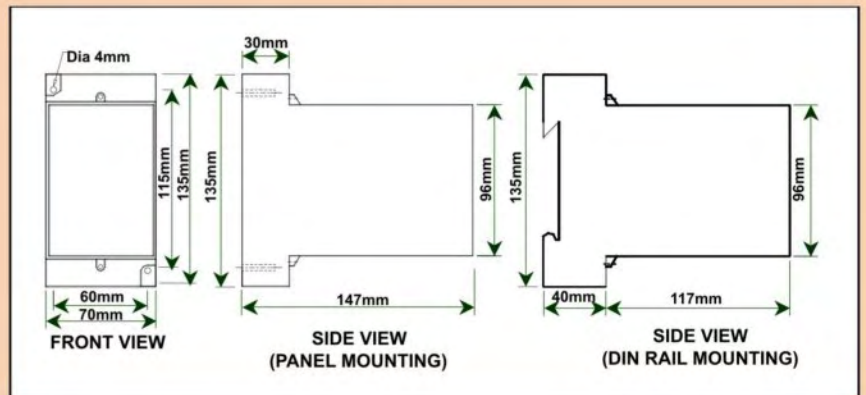
Block Diagram



Other Products

- Supervisory Remote Control & Data Acquisition Systems - Total turnkey.
- Remote terminal Units (RTU).
- Micro RTU.
- Microprocessor Based Equipments _
MCB Monitors, Beetle Monitors,
Temperature Scanner etc.
- Custom Built Electronic Equipments.
- Digital A.C. Ammeter.
- Digital A.C. Voltmeter.
- Digital Volt, Amp, & Watt Meter -
class 0.5/0.2.
- Position Indicating Transducers.
- Static Energy Meters.
- Digital Flow Meters.
- Digital Power Monitor Cum Controllers.

Dimensional Drawing



SETO TEKNOLOG PRIVATE LIMITED

EL-79, ELECTRONICS ZONE, TTC INDUSTRIAL AREA,
BLOCK-A, MIDC, MAHAPE, NAVI MUMBAI-400 710.

Phone : 91-22-2761 8631, 32, 33, 34 ♦ Fax : 91-22-2762 1223